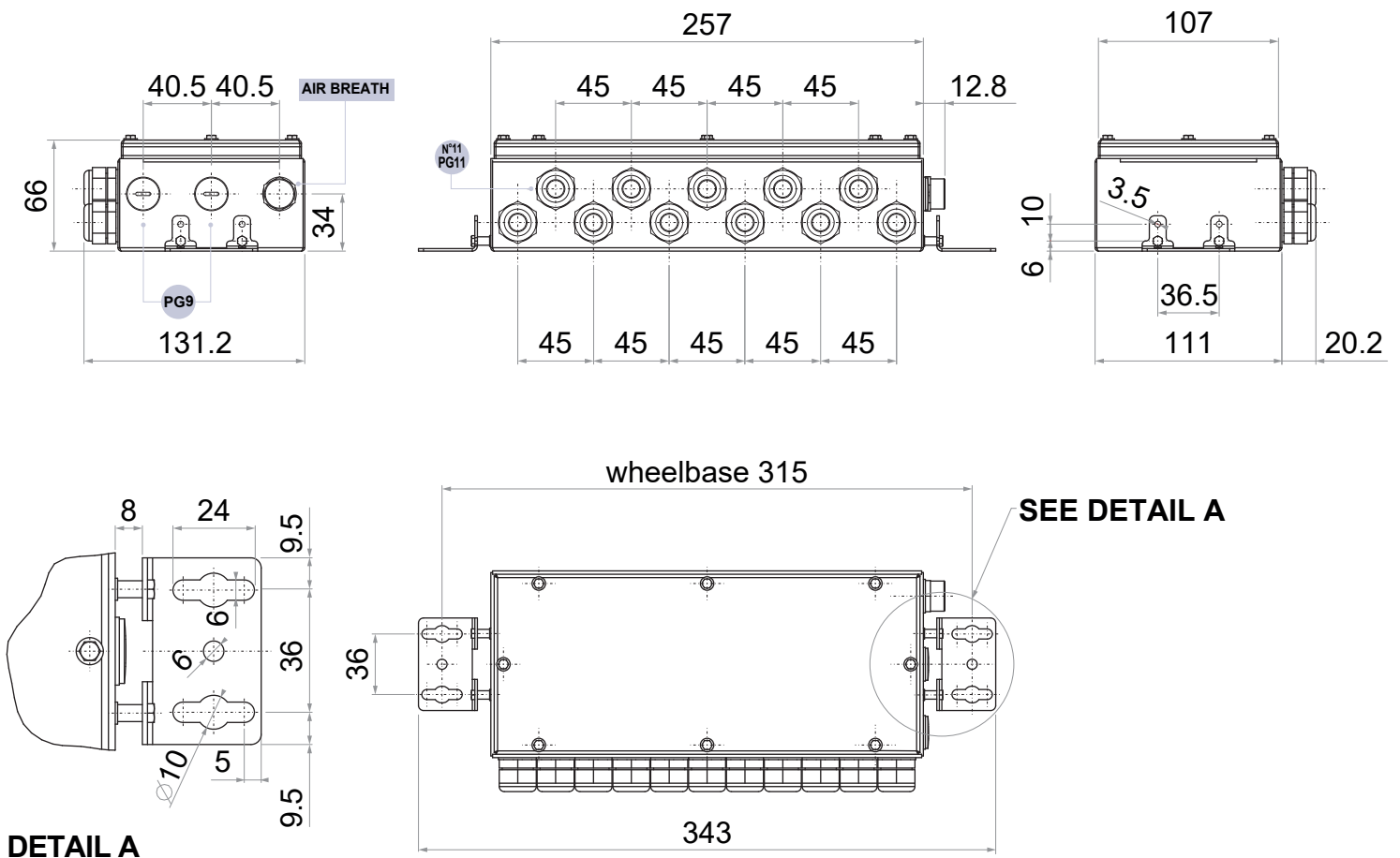


# JB10QIP69K-1



Cable gland	Min. cable $\phi$ (mm)	Max. cable $\phi$ (mm)	Fastening torque (Nm)
PG11 - metal	5	11	6

dimensions in mm